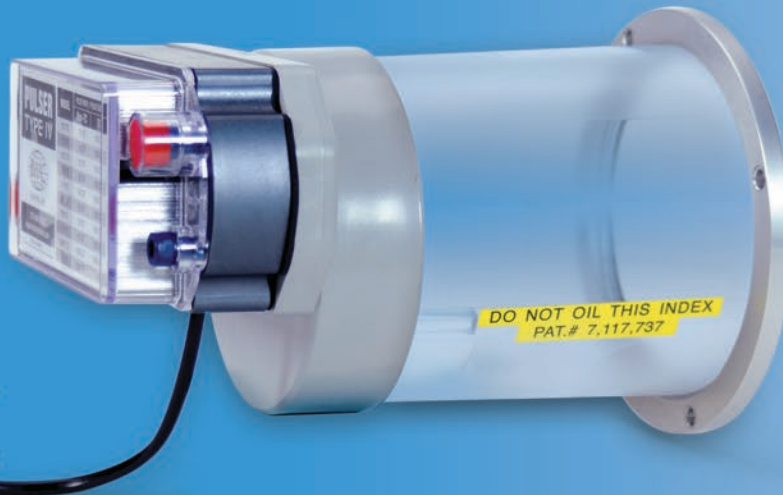


Easy to Install and Cost-Effective

MADE IN THE USA

PULSER TYPE IV



FEATURES

Easy to install and cost-effective pulse retrofit. The Type IV and Type IV-A install on Roots rotary meters utilizing the meter's drive to create a pulse. Pulses are proportional with the volume that has passed through the meter.

KEY ATTRIBUTES

- 2-wire form 'A' reed switch (polarity not sensitive), single pole, single throw, normally open (UL #561760)
- Durable and robust anodized aluminum housing
- Weather resistant and corrosion resistant
- Anti-reverse flow false count feature
- Installation without meter shutdown

APPLICATIONS

- Load studies
- SCADA
- Remote reading
- Remote mount electronic volume correctors
- Building Management Systems (BMS)
- AMR/AMI/Billing and Energy Management Systems (EMS) integration



GENERAL INFORMATION

Designed for use on Roots Dresser rotary meters with CTR or TC-CTR accessories. Models include B-3 (Series 3) product family and LMMA (Series 1) product family.



International Measurement and Control Systems

90 Main Street, PO Box 1605 • Tullytown, PA 19007
1-800-955-4GAS • Phone: (215) 946-2200 • Fax: (215) 943-2984
Email: sales@imacsystems.com www.imacsystems.com

Distributed by:
Linc Energy Systems, Inc.
www.LincEnergySystems.com

INSTALLATION

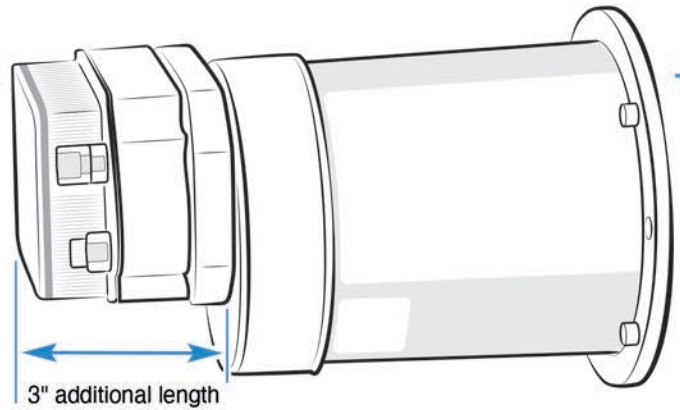
The Type IV and Type IV-A pulsers come premounted on a Lexan globe. The meter's old globe is removed, and the new globe is installed.

SPECIFICATIONS

Switched Power (Max):	10W
Switched Voltage DC (Max):	300V
Switched Current DC (Max):	0.4A
Carry Current DC (Max):	1.4A
Switch Type (SPST-NO):	Form 'A'

OPTIONS

- Dual pulse output
- Increased pigtail length
- Internal wiring terminal block
- Special wire connections
- Form 'C' switch



PULSER VERSION TYPE IV

1 pulse per revolution

MODEL	PULSE RATIO: 1 PULSE EQUALS	
	Non-TC	TC
8C175 B3	10 CF	100 CF
11C175 B3	10 CF	100 CF
15C175 B3	10 CF	100 CF
2M175 B3	10 CF	100 CF
3M175 B3	10 CF	100 CF
5M175 B3	10 CF	100 CF
7M175 B3	10 CF	100 CF
11M175 B3	10 CF	100 CF
16M175 B3	100 CF	1000 CF
23M232 B3	100 CF	n/a

PULSER VERSION TYPE IV-A

10 pulses per revolution

MODEL	PULSE RATIO: 1 PULSE EQUALS	
	Non-TC	TC
8C175 B3	1 CF	10 CF
11C175 B3	1 CF	10 CF
15C175 B3	1 CF	10 CF
2M175 B3	1 CF	10 CF
3M175 B3	1 CF	10 CF
5M175 B3	1 CF	10 CF
7M175 B3	1 CF	10 CF
11M175 B3	1 CF	10 CF
16M175 B3	10 CF	100 CF
23M232 B3	10 CF	n/a

