

# Protect Downstream Equipment

**AMERICAN MADE.**

Distributed By:

**Linc Energy Systems, Inc.**

[www.LincEnergySystems.com](http://www.LincEnergySystems.com)

***i-Filters***

# INLINE THREADED FILTERS

## KEY POINTS

- Inexpensive protection for meters, regulators, valves, pumps, engines and other mechanical equipment
- Protect downstream equipment from dangerous debris such as loose scale, weld beads, grit, metal shavings, PTFE, and other damaging foreign material
- Large filtration capacity
- Quick deliveries



## CHARACTERISTICS

- Ductile iron housing resulting in high impact resistance, high fatigue resistance and overall greater resilience
- Machined to precise tolerances allowing parts interchangeability
- Enhanced corrosion resistant coating
- Permanently marked with unique serial number identification
- Pressure tested
- Featuring 5-micron element (other elements available)

**SIZE RANGE:**  
3/4" through 2"



International Measurement and Control Systems

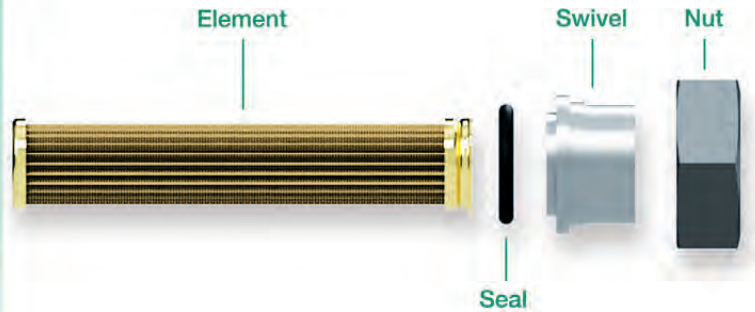
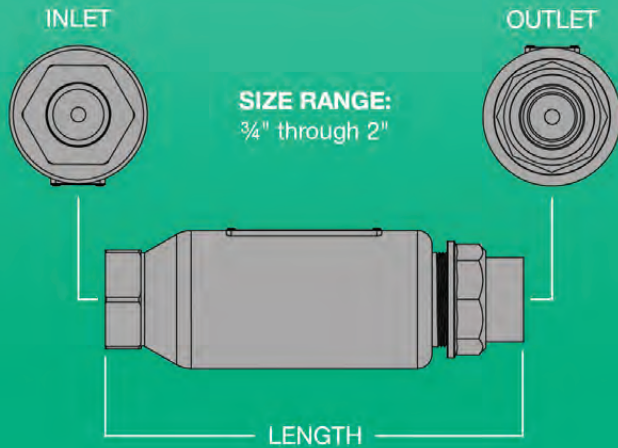
90 Main Street, PO Box 1605 • Tullytown, PA 19007

**1-800-955-4GAS** • Phone: (215) 946-2200 • Fax: (215) 943-2984

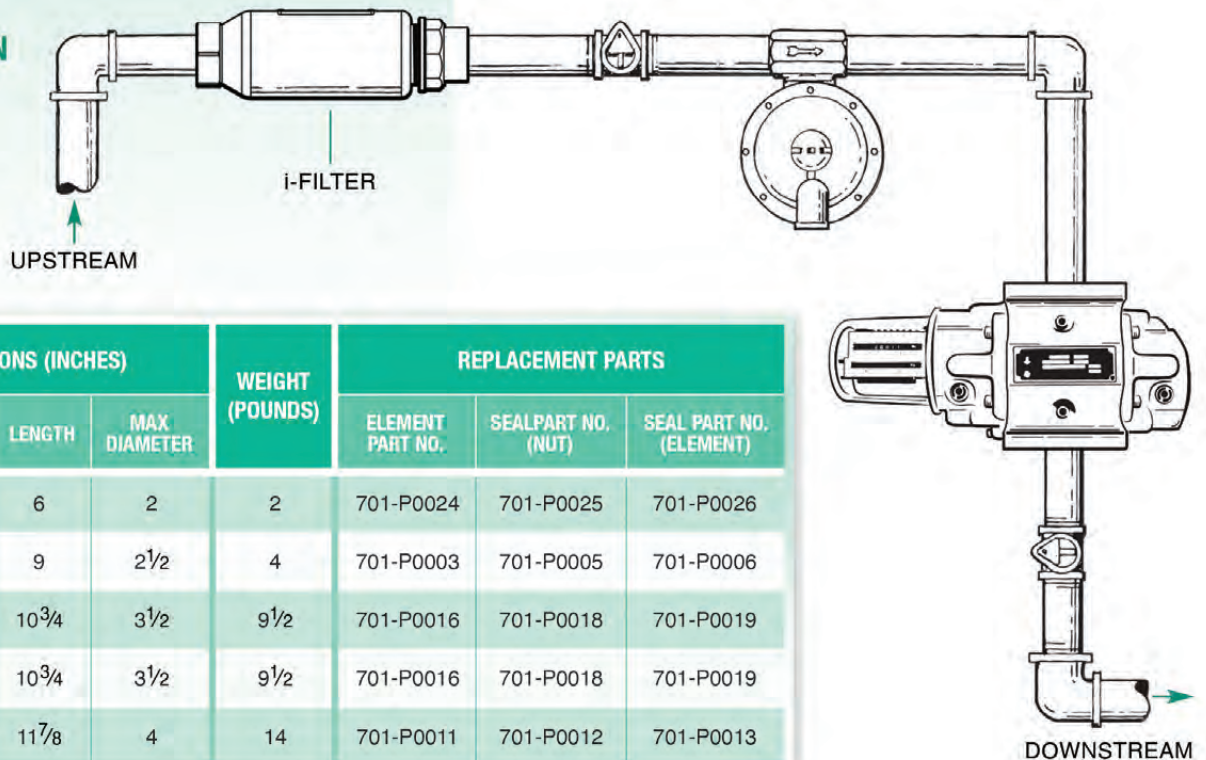
Email: [sales@imacsystems.com](mailto:sales@imacsystems.com)

[www.imacsystems.com](http://www.imacsystems.com)

## INLINE THREADED *i-Filter*



## TYPICAL INSTALLATION



## PRODUCT SPECIFICATIONS

### DESIGN

- Max Pressure: 180 PSIG
- Max Temperature: 140°F

### ASSEMBLY MATERIALS

- Housing: Ductile iron
- Swivel: Plated carbon steel
- Nut: Iron or plated carbon steel
- Seals: Buna N (standard), other materials optional

### ELEMENT MATERIAL

- 5-micron pleated, heat cured phenolic cellulose media
- Inner support cage (for enhanced DP performance)
- Corrosive resistant end caps

MODEL NUMBER	DIMENSIONS (INCHES)			WEIGHT (POUNDS)	REPLACEMENT PARTS		
	INLET x OUTLET FNTP	LENGTH	MAX DIAMETER		ELEMENT PART NO.	SEALPART NO. (NUT)	SEAL PART NO. (ELEMENT)
i0750	3/4 x 3/4	6	2	2	701-P0024	701-P0025	701-P0026
i1000	1 x 1	9	2 1/2	4	701-P0003	701-P0005	701-P0006
i1250	1 1/4 x 1 1/4	10 3/4	3 1/2	9 1/2	701-P0016	701-P0018	701-P0019
i1500	1 1/2 x 1 1/2	10 3/4	3 1/2	9 1/2	701-P0016	701-P0018	701-P0019
i2000	2 x 2	11 7/8	4	14	701-P0011	701-P0012	701-P0013